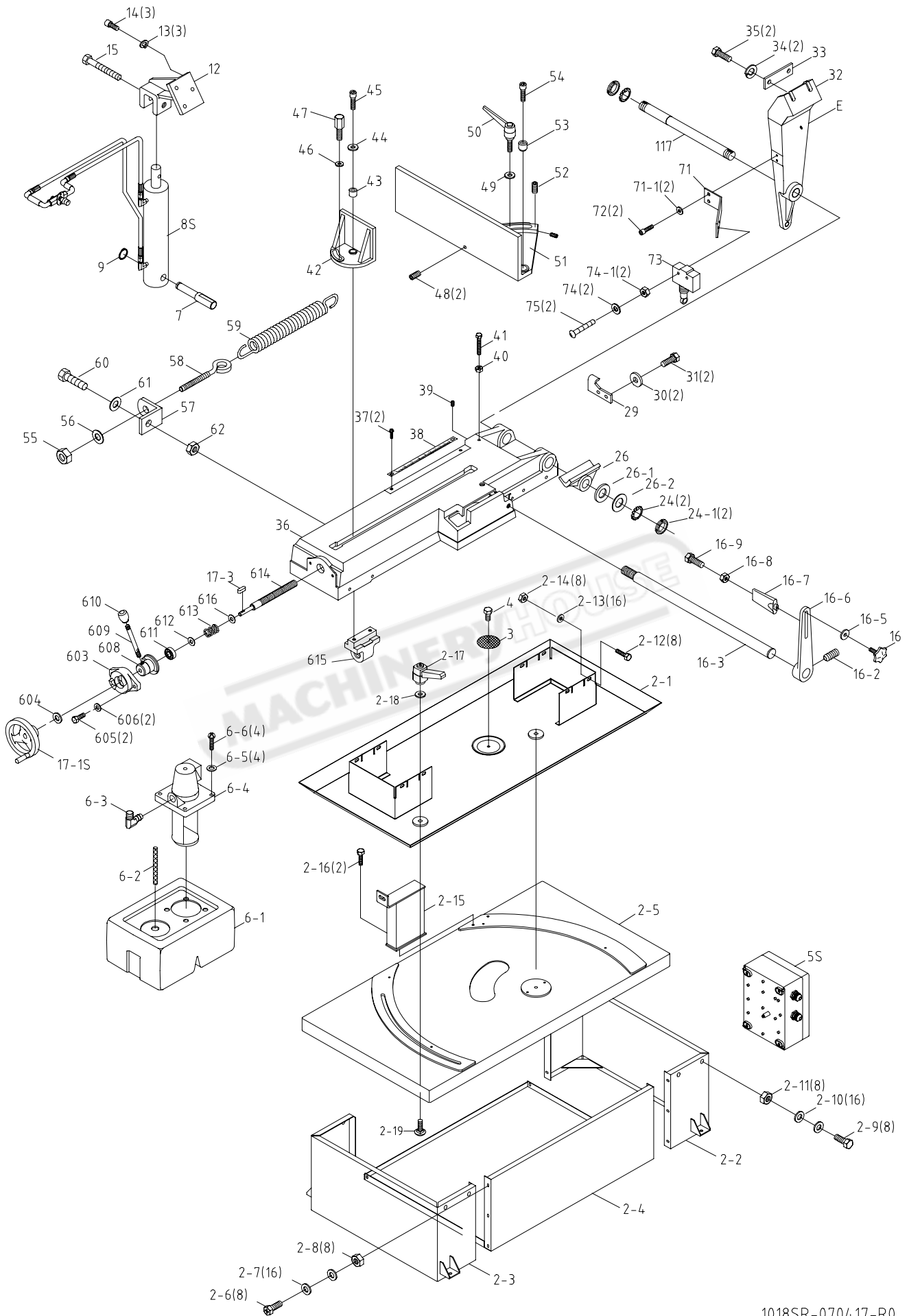
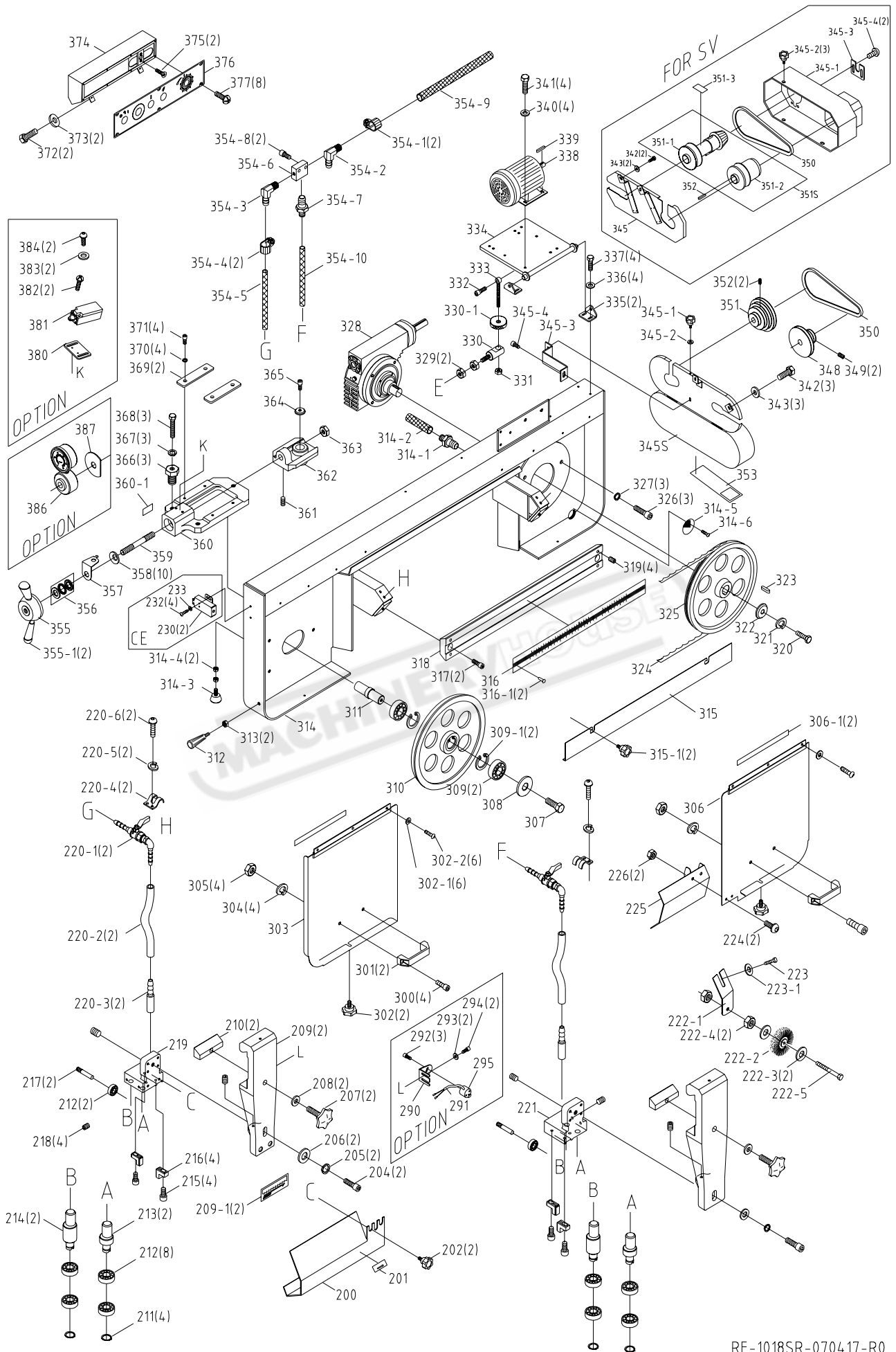


### 25. PARTS LISTS





RF-1018SR-070417-R0

## PARTS LIST

## MODEL NO. 1018SR-SRV

CODE_NO	PART_NO	SPECIFICATION	DESCRIPTION	QTY	NOTE
2S	189001RS	Stand Complete Assembly		1	
2-1	189001RA	Coolant Pan		1	
2-2	189001R1	Leg(Right)		1	
2-3	189001R2	Leg(Left)		1	
2-4	189001R3	Panel		1	
2-5	189001R4	Swivel Base		1	
2-6	S204	Cross Hex. Head Screw	1/4"-20*3/4"L	8	
2-7	W005	Washer	1/4"x16xt1.5	16	
2-8	N003	Hex. Nut	1/4"-20	8	
2-9	S010	Hex. Head Screw	3/8"-16*1"L	8	
2-10	W013	Washer	3/8"x20xt2	16	
2-11	N005	Hex. Nut	3/8"-16	8	
2-12	HS050	Hex. Head Screw	M8-1.25Px40L	8	
2-13	W016	Washer	5/16"x23x2mm	16	
2-14	HN005	Hex. Nut	M8	8	
2-15	187034	Angle Position		1	
2-16	HS051	Hex. Head Screw	M8-1.25Px30L	2	
2-17	111039	Knob		1	
2-18	HW030	Washer	M10x27x2t	1	
2-19	HS935	Carriage Screw	M10x33L	1	
3	191106A	Filter		1	
4	HS033	Hex. Head Screw	M6-1.0Px15L	1	
5S	ET1923S	Control Box		1	
6S	MB13103JS	Pump Set	1/8HP 115/230V 1P 130MM	1	
6-1	181256	Coolant Tank		1	
6-2	189061	Hose	13x19-350mm	1	
6-3	103125-4	Coupler	PT1/2x3/8	1	
6-4	MB13103J	Pump	1/8HP/110V/220V/1PH	1	
6-5	W004	Washer	1/4"x19xt1.5mm	4	
6-6	S717	Cross Round Head Screw	1/4"-20*5/8"L	4	
7	189036	Pivot Shaft		1	
8S	187065BS	Cylinder Assembly		1	
9	HCS07	C-Retainer	S18	1	
12	189025	Cylinder Upper Bracket		1	
13	W205	Spring Washer	5/16"-2.0t	3	
14	HS244	Hex. Head Cap Screw	M8-1.25Px30L	3	
15	HS064	Hex. Head Screw	M10-1.5Px50L	1	
16S	189037S	Length StOption Set		1	
16-2	HS422	Hex. Headless Screw	M6-1.0Px10L	1	
16-3	189037	DistanFor CE Only Set Rod		1	
16-4	196213	Plum Screw		1	

## PARTS LIST

## MODEL NO. 1018SR-SRV

CODE_NO	PART_NO	SPECIFICATION	DESCRIPTION	QTY	NOTE
16-5	W004	Spring Washer	1/4"x19xt1.5mm	1	
16-6	189038	Support Rod		1	
16-7	1966008	DistanFor CE Only Set Bracket		1	
16-8	HN006	Hex. Nut	M10-1.5P	1	
16-9	HS059	Hex. Head Screw	M10-1.5Px25L	1	
17-1S	187055S	Handwheel		1	
	187055	Handwheel		1	
	189055R	Knob		1	
	HS422	Hex. Headless Screw	M6-1.0P6x10L	1	
17-3	HK007	Key	5x5x15L	1	
24	HW313	Star Washer	AW05	2	
24-1	1965043	Model Label	AN05	2	
26	189013	Gap Ring		1	
26-2	189085B	Washer		2	
26-1	189085	Washer		2	
29	196228	Position Set Bracket		1	
30	W018	Washer	5/16"x23xt3mm	2	
31	HS046	Hex. Head Screw	M8-1.25Px20L	2	
32	189012	Rear Pivot Bracket		1	
33	191219	Bushing		1	
34	HW106	Spring Washer	§ 10.2-3t	2	
35	HS061	Hex. Head Screw	M10-1.5Px35L	2	
36	189002G	Base		1	
37	HE501	Cross Tablet Head Screw	M5-0.8Px8L	2	
38	187064	Degree-Meter		1	
39	HS430	Hex. Headless Screw	M8-1.25Px10L	1	
40	HN005	Hex. Nut	M8-1.25P	1	
41	HS051	Hex. Head Screw	M8-1.25Px45L	1	
42	196208	Vise Jaw Bracket		1	
43	191209	Bushing		1	
44	HW023	Washer	ø10.5*ø21Xt2mm	1	
45	HS261	Hex. Head Screw	M10-1.5Px35L	1	
46	HW025	Washer	ø10.5*ø27Xt3mm	1	
47	189067	Fixed Bolt		1	
48	HS434	Hex. Headless Screw	M8-1.25Px30L	2	
49	HW025	Washer	ø10.5*ø27Xt3mm	1	
50	191210	Knob		1	
51	187033	Vise Jaw Bracket(Rear)		1	
52	HS422	Hex. Headless Screw	M6-1.0Px10L	1	
53	1966004	Bushing		1	
54	HS261	Hex. Head Screw	M10-1.5Px35L	1	

## PARTS LIST

## MODEL NO. 1018SR-SRV

CODE_NO	PART_NO	SPECIFICATION	DESCRIPTION	QTY	NOTE
55	N005	Hex. Nut	3/8"	1	
56	W014	Washer	3/8"x23xt2	1	
57	181115	Spring Handle Bracket		1	
58	181118	Spring Adjusting Rod		1	
59	187068	Spring		1	
60	S022	Hex. Head Screw	5/16"x3/4"L	1	
61	W016	Washer	5/16"x23xt2	1	
62	N007	Hex. Nut	5/16"-18	1	
71	189034	Limit Switch Support		1	
71-1	HW004	Washer	ø6.5Xø18Xt1.5mm	2	
72	HS334	Hex. Head Screw	M6-1.0PX12L	2	
73	ET1617	Switch (For For CE Only Only)		1	
74	HW002	Washer	ø4.3Xø9Xt0.8mm	2	
74-1	HN002	Hex. Nut	M4-0.7P	2	
75	HS513	Cross Round Head Screw	M4-0.7P*30L	2	
117	187035	Pivot Shaft		1	
200	189023J	Blade Guard (Front)		1	
201	196504	Saw Direction Label		1	
202	103127	Knob	M6-1.0Px10L	2	
204	HS243	Hex. Head Screw	M8-1.25Px25L	2	
205	HI105	Spring Washer	ø8.2-2.5t	2	
206	HW005	Washer	ø8.4*ø17Xt1.6mm	2	
207	1965015	Blade Adjustable Knob		2	
208	HW023	Washer	ø10.5*ø21Xt2mm	2	
209	187020	Arm (Left)		2	
209-1	189077	Label		2	
210	1965014	Gib		2	
211	C100	C-Retainer	§ 8	4	
212	CA6082RS	Bearing	608-2RS	10	
213	189018	EcFor CE Onlyntric Guide		2	
214	189019	EcFor CE Onlyntric Guide		2	
215	HS230	Hex. Head Screw	M6-1.0Px20L	4	
216	103120	Carbide Guide		4	
217	121061	Bearing Shaft		2	
218	HS421	Hex. Headless Screw	M6-1.0Px5L	4	
219	189015	Bearing Bracket (Left)		1	
220S	189081S	Valve Assembly		2	
220-1	189081	Valve		2	
220-2	189088	Hose	§ 6	2	
220-3	189083	Straight Connector		2	
220-4	189084	Press Board		2	

## PARTS LIST

## MODEL NO. 1018SR-SRV

CODE_NO	PART_NO	SPECIFICATION	DESCRIPTION	QTY	NOTE
220-5	HW104	Spring Washer	ø 6.1*1.9	4	
220-6	HT016	Bulton Head Screw	M6-1.0P*12L	4	
221	189014	Blade Adjustable (Rear)		1	
222S	189022S	Brush Assembly		1	
222-1	189022	Brush Support		1	
222-2	191334A	Brush		1	
222-3	HW004	Washer	ø6.5Xø18Xt1.5mm	2	
222-4	HN004	Hex. Nut	M6-1.0P	2	
222-5	HS037	Hex. Head Screw	M6-1.0Px35L	1	
223	HS032	Hex. Head Screw	M6-1.0Px10L	1	
223-1	HW004	Washer	ø6.5Xø18Xt1.5mm	1	
224	HF404	Round Head Screw	M6-1.0PX12L	2	
225	189021	Blade Guard II (Rear)		1	
226	HN004	Hex. Nut	M6-1.0P	2	
230	189091	Switch Base	For For CE Only Only	1	For CE Only
232	HS032	Hex. Head Screw	M6-1.0P*10L	4	For CE Only
233	HW004	Washer	ø6.5Xø18Xt1.5mm	4	For CE Only
290S	189072S	Infrared Complete		1	Option
290	189074	Bracket , For For CE Only Only		1	Option
291	189072	Infrared		1	Option
292	HS558	Cross Round Head Screw	M5-0.8P*8L	3	Option
293	HW003	Washer	ø5.3*ø10Xt1mm	2	Option
294	HS558	Cross Round Head Screw	M5-0.8P*8L	2	Option
295	189073	Bracket		1	Option
300	HS241	Hex. Head Screw	M8-1.25Px15L	4	
301	1965052	Knob		2	
302	103127	Knob	M6-1.0Px10L	2	
302-1	HW003	Washer	ø5.3*ø10Xt1mm	6	
302-2	HT001	Round Head Screw	M5-0.8Px10L	6	
303	187027	Blade Back Cover		1	
303	187027E	Blade Back Cover		1	For CE Only
304	HW105	Spring Washer	ø8.2-2.5t	4	
305	HN005	Hex. Nut	M8-1.25P	4	
306	187026	Cover		1	
306	187026E	Cover		1	For CE Only
306-1	189079	Songe Pad		2	
307	HS046	Hex. Head Screw	M8-1.25Px20L	1	
308	HW027	Washer	ø30Xø16Xt3mm	1	
309	CA6205	Bearing	6025	2	
309-1	HCR06	C-Retaniner Ring	R52	2	
310	105021A	Idler Wheel		1	

## PARTS LIST

## MODEL NO. 1018SR-SRV

CODE_NO	PART_NO	SPECIFICATION	DESCRIPTION	QTY	NOTE
311	187056	Shaft		1	
312	189033	Handle		1	
313	N005	Hex. Nut	3/8"	2	
314	187010	Body Frame		1	
314-1	HD602	Pipe Connector	PT1/2"	1	
314-2	189060	Net Tube	18*24-190mm	1	
314-3	189087	Screw	M8-1.25P	1	
314-4	HN005	Hex. Nut	M8-1.25P	2	
314-5	189080	Filter		1	
314-6	HT001	Round Head Screw	M5-0.8Px10L	1	
315	187021	Cover		1	
315-1	103127	Hex. Head Screw	M6-1.0Px10L	2	
316	187039	Scale		1	
316-1	HH001	Rivet	φ 2x5L	2	
317	HS278	Hex. Head Screw	M12-1.75P*20L	2	
318	1965011	Column		1	
319	HS432	Hex. Headless Screw	M8-1.25Px20L	4	
320	HS089	Hex. Head Screw	M12-1.75P*30L	1	
321	HW107	Spring Washer	ø12.2-3.6t	1	
322	198036	Drive Shaft Washer		1	
323	HK053	Key	8x8x30L	1	
324	1965027	Blade	25*0.9*3090*5/8Tmm	1	
325	196304	Drive Wheel	Key 8MM	1	
326	HS258	Hex. Head Screw	M10-1.5Px20L	3	
327	HW106	Spring Washer	φ 10.2-3t	3	
328	19116S-3	Gear Box Assembly	1:30,,,Ø22,key=5X5 FOR Pull	1	
328	19116S-1	Gear Box Assembly	1:30,,,Ø22,key=7X7	1	
329	HN006	Hex. Nut	M10-1.5P	2	
330	187069	Shaft		1	
330-1	189032	Knob		1	
331	HN007	Hex. Nut	M12-1.75P	1	
332	HS266	Hex. Head Screw	M10-1.5Px60L	1	
333	105076	Shaft		1	
334	105050B	Motor Plate		1	
335	105079	Motor Bracket		2	
336	HW004	Washer	ø6.5Xø18Xt1.5mm	4	
337	HS034	Hex. Head Screw	M6-1.0Px20L	4	
338	M601	Motor	2HP 110/220V 60HZ	1	
338	M601	Motor	2HP 110/220V 60HZ	1	
339	HK108	Key	7x7x35L	1	
339	HK108	Key	8x7x35L	1	

## PARTS LIST

## MODEL NO. 1018SR-SRV

CODE_NO	PART_NO	SPECIFICATION	DESCRIPTION	QTY	NOTE
340	HW005	Washer	ø8.4*ø17Xt1.6mm	4	
341	HS045	Hex. Head Screw	M8-1.25Px15L	4	
342	HS032	Hex. Head Screw	M6-1.0Px10L	3	
343	HW016	Washer	ø6.5Xø18Xt1.5mm	3	
345S	189059JS	Motor Pulley Cover Assembly		1	
345-1	103127	Hex. Head Screw	M6-1.0Px10L	1	
345-2	HW004	Washer	ø6.5Xø18Xt1.5mm	1	
345-3	189086	Bracket		1	
345-4	HS228	Hex. Head Screw	M6-1.0Px10L	1	
345	189059V	Pulley Cover		1	
345-1	189058V	Pulley Cover		1	
345-2	103127	Hex. Head Screw	M6-1.0Px10L	3	
345-3	1966018	StOptionper		1	
345-4	HS812	Cross Tablet Head Screw	M5-0.8Px8L	2	
348	189029	Spindle Pulley	Ø22,key=5X5	1	
349	HS430	Hex. Headless Screw	M8-1.25Px10L	2	
350	189046	Belt	17-330	1	
350	1965045	Belt	1422/V330/22x22	1	
351	1965050B	Motor Pulley	Ø24key=7X7	1	
351S	1965032S	Variable Speed Pulley Set		1	
351-1	1965032	Variable Speed Pulley	Ø24key=8X7	1	
351-2	1965033	Spindle Pulley	Ø22,key=7X7	1	
351-3	1965073	Speed Indicator Dial		1	
352	HS430	Hex. Headless Screw	M8-1.25Px10L	2	
352	HK093	Key	7x7x37L	1	
353	1965072	Speed Indicator Dial		1	
354S	103127S	3 Way Valve Assembly		1	
354-1	103126-4	Hose Clamp	§ 12	2	
354-2	103127-6	Micro Control Block	PT1/4"x1/2"	1	
354-3	103127-6	Micro Control Block	PT1/4"x1/2"	1	
354-4	103125-5	Hose Clamp	§ 19	2	
354-5	103127-4	Net Tube	ID1/4"x2.2tx80cm	1	
354-6	105173	3 Way Valve		1	
354-7	103127-1	Straight Connector	PT1/4"x1/4"	1	
354-8	HS232	Hex. Head Screw	M6-1.0Px30L	2	
354-9	103127-3	Net Tube	ID1/4"x2.2tx143cm	1	
354-10	189062	Net Tube	ID1/4"x2.8tx32cm	1	
355	198051AJ	Blade Tension Handle		1	
355-1	198086J	Knob		2	
356	CA51203	Bearing	51203	1	
357	189053	Tension Indication Ring		1	



## PARTS LIST

## MODEL NO. 1018SR-SRV

CODE_NO	PART_NO	SPECIFICATION	DESCRIPTION	QTY	NOTE
358	198093	Spring Washer	φ ID16.3X φ 31.5X1.8t	10	
359	198026	Leadscrew		1	
359	187067	Leadscrew		1	<b>Option</b>
360	189050	Tension		1	
360-1	189041	Tension Scale		1	
361	HS423	Hex. Headless Screw	M6-1.0Px15L	1	
362	189051	Anchor Block		1	
363	HN008	Hex. Nut	M16XP2	1	
364	121011	Washer		1	
365	HS242	Hex. Head Screw	M8-1.25PX20L	1	
366	189054	Screw		3	
367	HW106	Spring Washer	φ 10.2-3t	3	
368	HS066	Hex. Head Screw	M10-1.5Px60L	3	
369	189052	Press Board		2	
370	HW105	Spring Washer	ø8.2-2.5t	4	
371	HS240	Hex. Head Screw	M8-1.25Px10L	4	
372	HF024	Hex. Head Screw	M6-1.0Px12L	2	
373	W005	Washer	1/4"x16xt1.5	2	
374	187022	Control Box		1	
375	HS622	Flat Cross Head Screw	M6-1.0Px12L	2	
376	187023	Control Plate		1	
376	187023A	Control Plate		1	<b>Option</b>
377	HE501	Cross Tablet Head Screw	M5-0.8Px8L	8	
380S	198150MS	Micro Switch Assembly		1	<b>Option</b>
380	198150M	Micro Switch Bracket		1	<b>Option</b>
381	ET-1615	Micro Switch		1	<b>Option</b>
382	HS513	Cross Round Head Screw	M4-0.7Px30L	2	<b>Option</b>
383	HW005	Washer	M5	2	<b>Option</b>
384	HS219	Hex. Head Screw	M5X15L	2	<b>Option</b>
386	198170	Scale		1	<b>Option</b>
387	187066	Clamp For For CE Only Only		1	<b>Option</b>
600S	193055S	Pressure Lump Assembly		1	
603	193055	Pressure Lump		1	
604	HW007	Washer	φ 12*t2	1	
605	S013	Hex. Head Screw	3/8"*1-1/4"L	2	
606	W013	Washer	3/8"*20*t2	2	
608	193056	Pressure Shaft		1	
609	193059	Knob W/Shaft		1	
610	290086	Plastic Round Knob	\RF31\	1	
611	CA51101	Bearing		1	
612	HW007	Washer	φ 12*t2	1	

## PARTS LIST

MODEL NO. 1018SR-SRV

CODE_NO	PART_NO	SPECIFICATION	DESCRIPTION	QTY	NOTE
613	193058	Spring		1	
614	187028	Acme Screw		1	
615	181138B	Acme Nut	m.m	1	
616	W002	Washer	1/2"*28*t2	1	

MACHINERYHOUSE



**MANUFACTURER:**

**ADDRESS:**

**SERIAL No.:**

PLEASE WRITE DOWN THE SERIAL NO. ON THIS BLOCK FROM THE NAME  
PLATE AFTER YOU RECEIVE THIS MACHINE.